

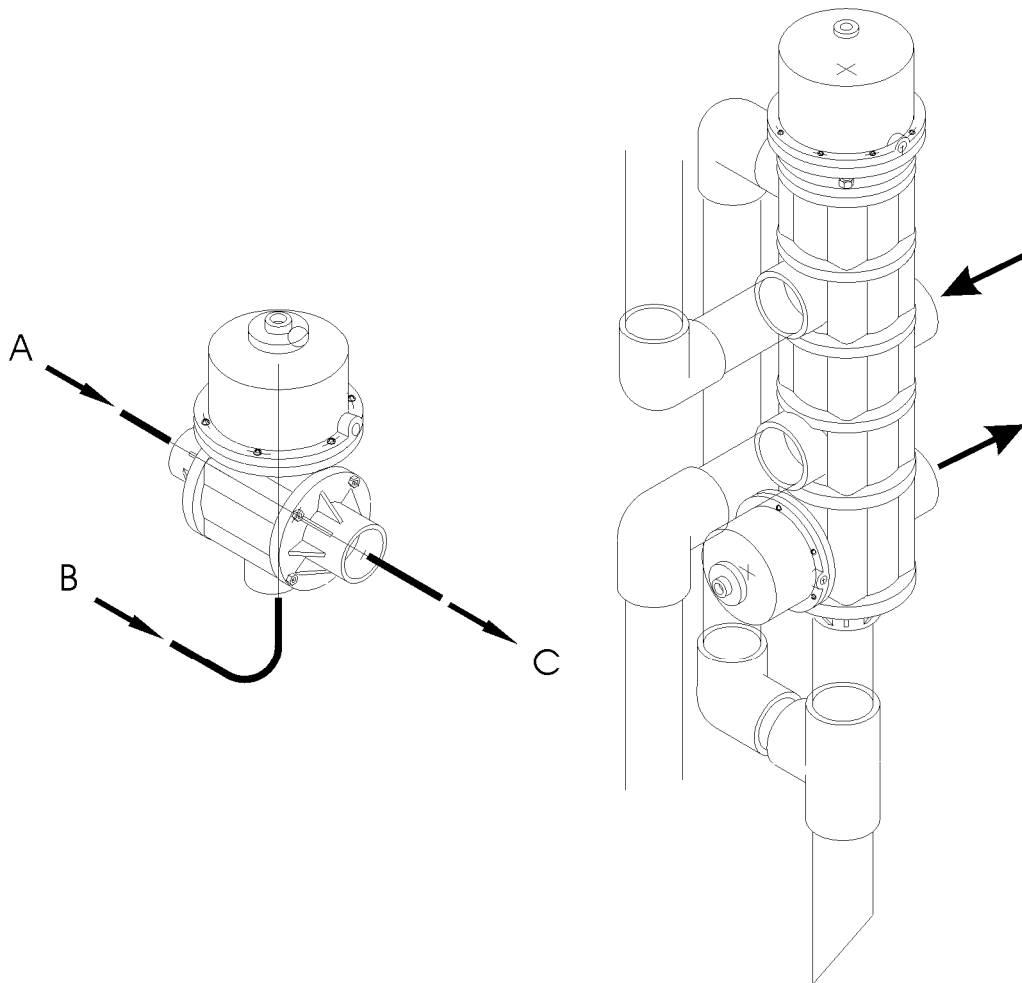


300 PRO FILTER VALVE

OPERATING MANUAL

300 PRO FILTER

SERVICING MANUAL

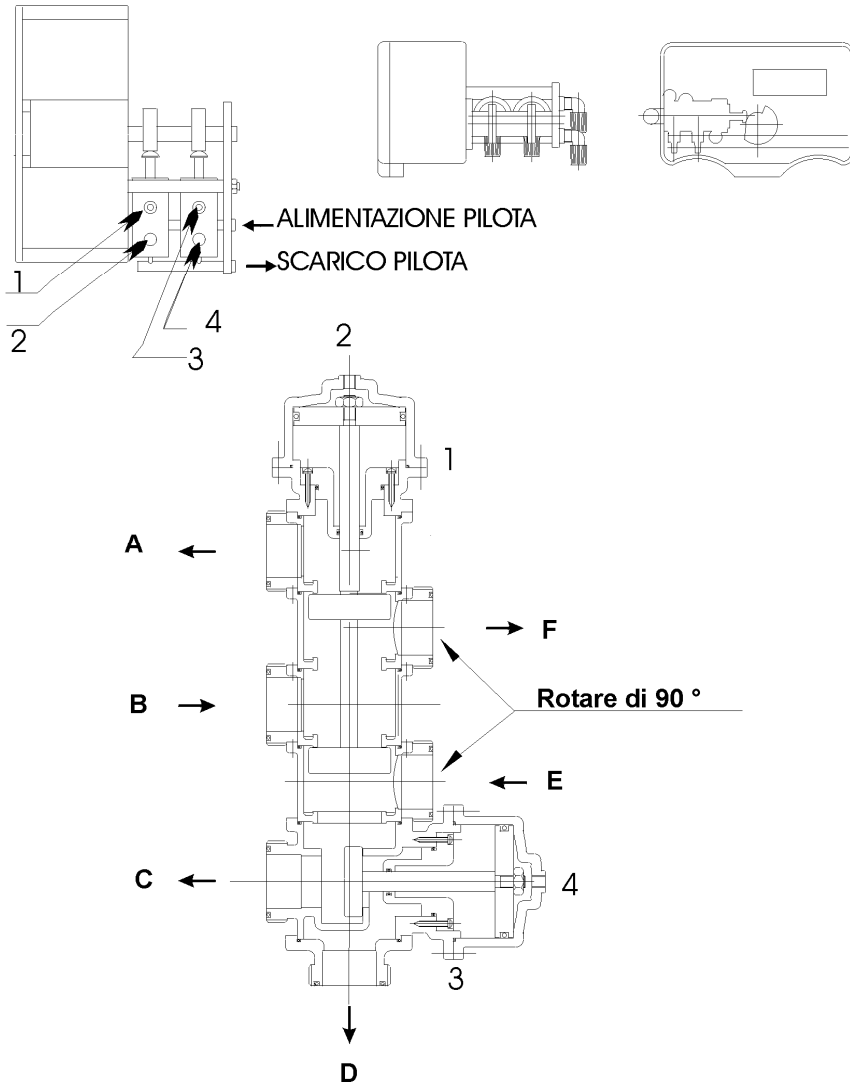


Document	Revision	Revision Note	Date
MAN0028	A	Bozza	19.06.98
MAN0028	B	Emesso	06.07.98
MAN0028	C	Aggiunto pag. 27	

INDEX

➤ V363F /05 & V363F-FE /05 VALVE TECHNICAL DATA CHARACTERISTICS.	4
➤ V363F /05 – V363F-FE /05 DIMENSIONS AND FLOW RATES GRAPHICS	5
➤ V350F-FE /05 TECHNICAL DATA CHARACTERISTICS	6
➤ V351F-FE /05 TECHNICAL DATA CHARACTERISTICS	7
➤ V350F-FE /05 – V351F-FE /05 DIMENSIONS AND FLOW RATES GRAPHICS.	8
➤ V350F-FE/05, V363F/05 & V363F-FE/05 FLOW RATES DIAGRAM	9
➤ V351F-FE/05 FLOW RATES DIAGRAM	10
➤ V363F-BWFE /05 & V350F-BWFE /05 VALVE TECHNICAL DATA CHARACTERISTICS	11
➤ V363F-BWFE /05 DIMENSIONS AND FLOW RATES GRAPHICS	12
➤ V350F-BWFE /05 DIMENSIONS AND FLOW RATES GRAPHICS	13
➤ V350F-BWFE/05& V363F-BWFE/05 FLOW RATES DIAGRAM	14
➤ V363F-BWFE /05 & V350F-BWFE /05 VALVE TECHNICAL DATA CHARACTERISTICS	15
➤ 3-WAY VALVE USE	16
➤ 3V-63 /05 & 3V-63FE /05 VALVE DIMENSIONS AND FLOW RATES GRAPHICS	17
➤ 3V-50FE /05 VALVE DIMENSIONS AND FLOW RATES GRAPHICS	18
➤ VERTICAL VALVE INSTALLATION MODES EXAMPLES.	19
➤ 3-WAY VALVE INSTALLATION MODES EXAMPLES.	20
➤ V363F /05 & V363F-FE /05 VALVE SPARE PARTS ASSEMBLY.	21
➤ V350F-FE /05 & V351F-FE /05 VALVE SPARE PARTS ASSEMBLY.	22
➤ V363F-BWFE /05 VALVE SPARE PARTS ASSEMBLY	23
➤ V350F-BWFE /05 VALVE SPARE PARTS ASSEMBLY	24
➤ 3V-50FE /05, 3V-63FE /05 & 3V-63 /05 VALVE SPARE PARTS ASSEMBLY	25
➤ ACCESSORIES AND SPARE KITS.	26
➤ TIPS AND SUGGESTIONS	27

V363F /05 & V363F-FE /05 VALVE TECHNICAL CHARACTERISTICS



A = RINSING WATER DRAIN.
 B = INLET WATER TO BE FILTERED
 C = FILTERED WATER OUTLET
 D = CO-CURRENT WATER DRAIN
 E = BOTTOM COLUMN CONNECTION
 F = HIGH COLUMN CONNECTION

ABS Valve reinforced with fibreglass

- Service Pressure
- Temperature Use
- Connections:

Max. 6 Bar
 Min. 5°C Max. 40°C

V363F /05

F 63 ISO for Welding

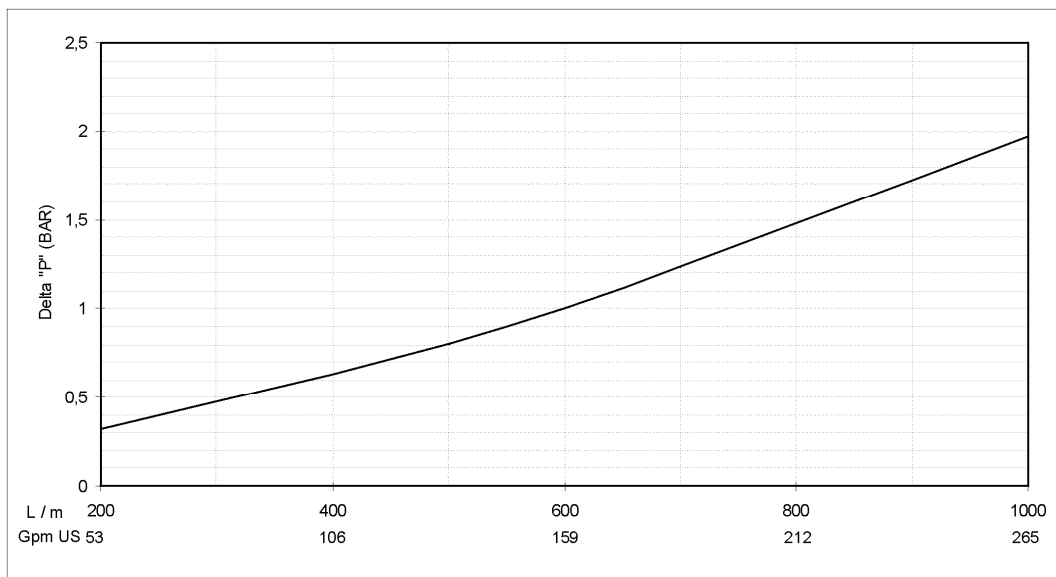
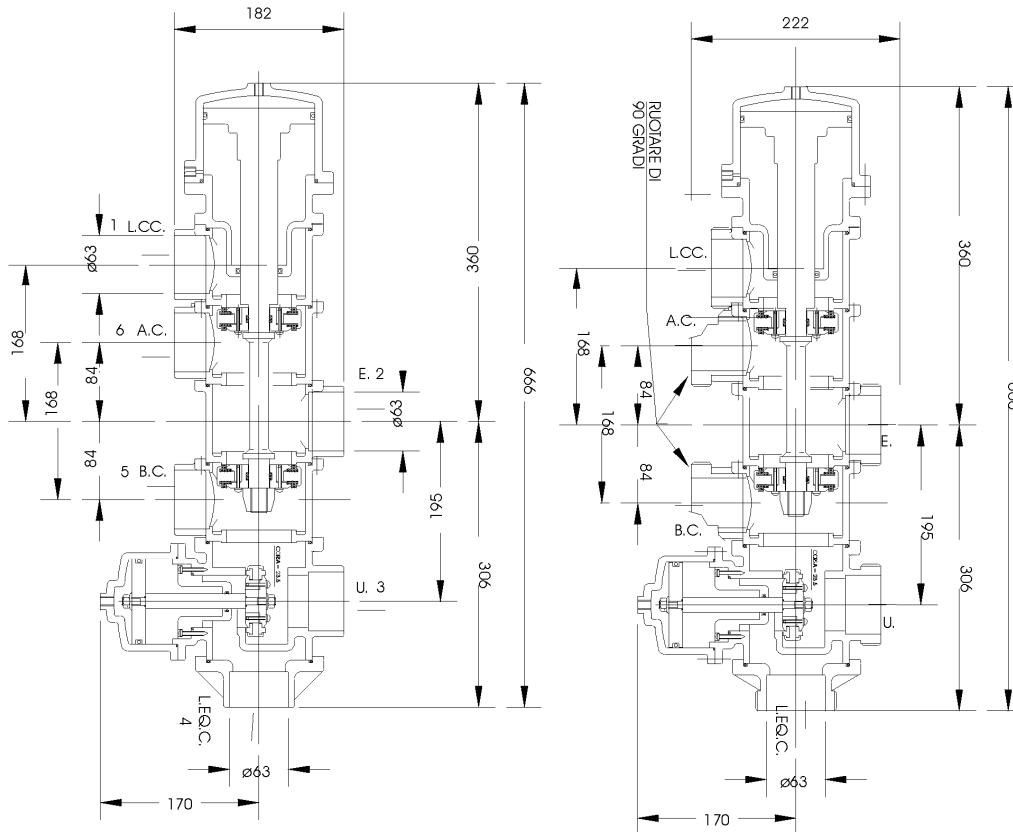
V363F-FE /05

Threaded F 2"3/4 for 2-piece connection
 F 2" Gas or F 2" NPT
 Refere to PAGE .26

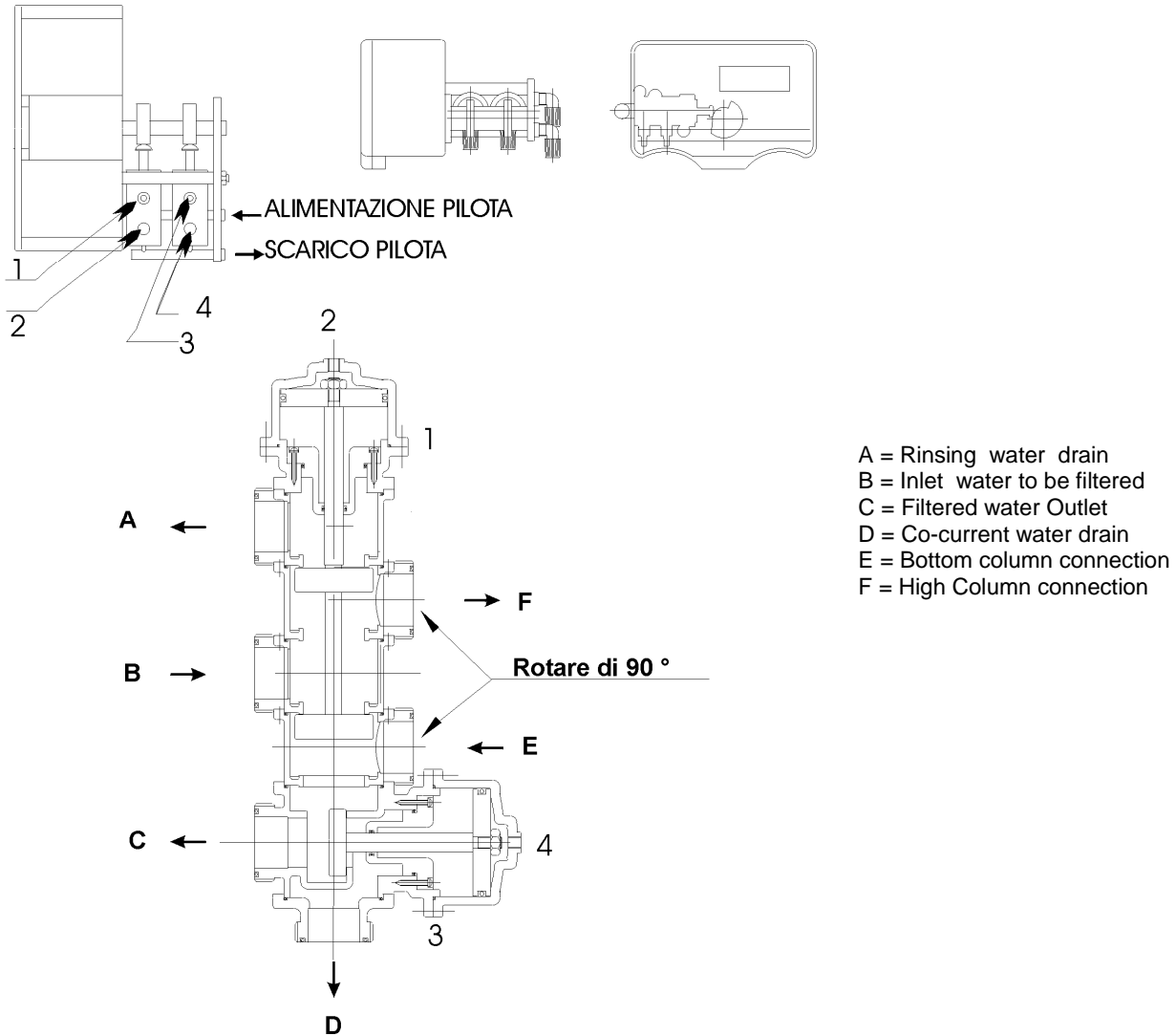
- Delivery service rate
- Electronic Timer Controller
 Electric Power

S.I.A.T.A. Controller 2 piloti
 230 V. 50/60 Hz or 115 V 60 Hz

DIMENSIONS & FLOW RATES DIAGRAM V363F /05 – V363F-FE /05



V350F-FE /05 TECHNICAL DATA CHARACTERISTICS



ABS Valve reinforced with glass-fibre

- Service pressure.
- Temperature Use.
- Connections:

Max. 6 Bar
Min. 5°C Max. 40°C

V350F-FE /05

- Service Rate
- Electronic Timer Controller

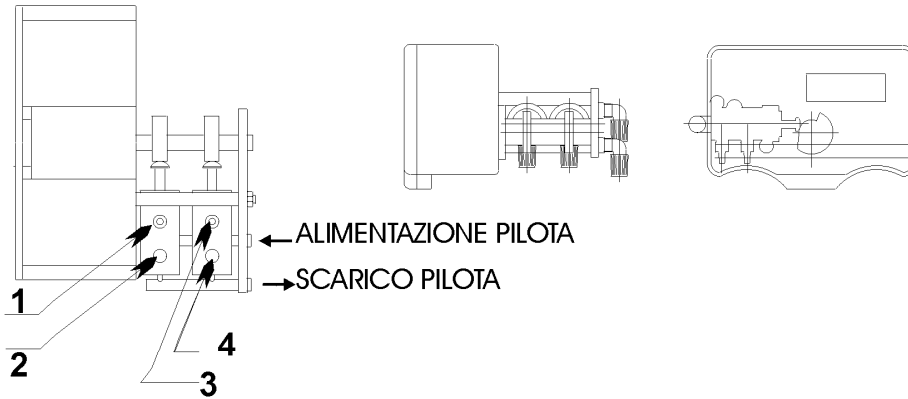
Threaded
F 2"1/4 for 2-piece connection
F 1" 1/2 Gas or F 1" 1/2 NPT
Refer to PAGE 26

S.I.A.T.A. Controller 2 piloti

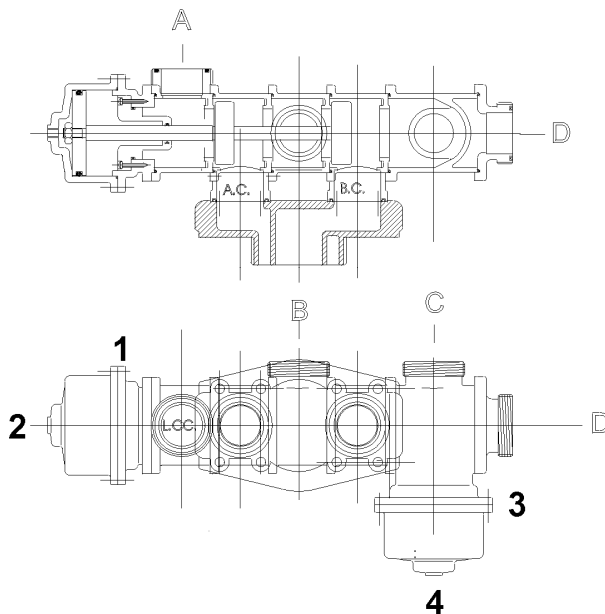
Electric Power:

230 V. 50/60 Hz or 115 V 60 Hz

V351F-FE /05 VALVE TECHNICAL DATA CHARACTERISTICS



A = Rinsing water drain
 B = Inlet water to be filtered
 C = Filtered water Outlet
 D = Co-current water drain
 E = Bottom column connection
 F = High Column connection



ABS Valve reinforced with glass fibre

- Service Pressure.
- Temperature Use
- Connections:

Max. 6 Bar
 Min. 5°C Max. 40°C

V351F-FE /05

- Delivery service rate
- Electronic Timer Controller
 Electric Power

Threadde F 2"1/4 for 2-piece connection
 F 1" 1/2 Gas or F 1" 1/2 NPT
 Refer to pageG. 26

.....
 S.I.A.T.A. Controller 2 piloti
 230 V. 50/60 Hz or 115 V 60 Hz

V350F-FE /05 – V351F-FE /05 DIMENSIONS & FLOW RATES DIAGRAM

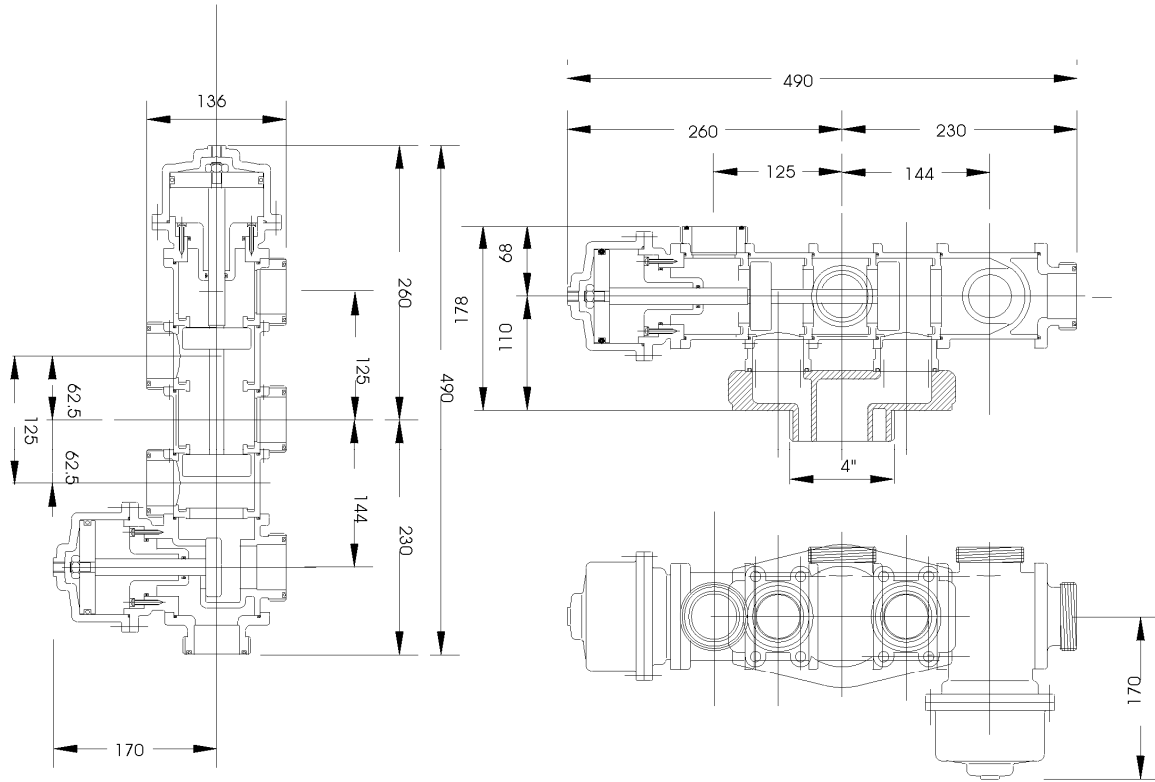
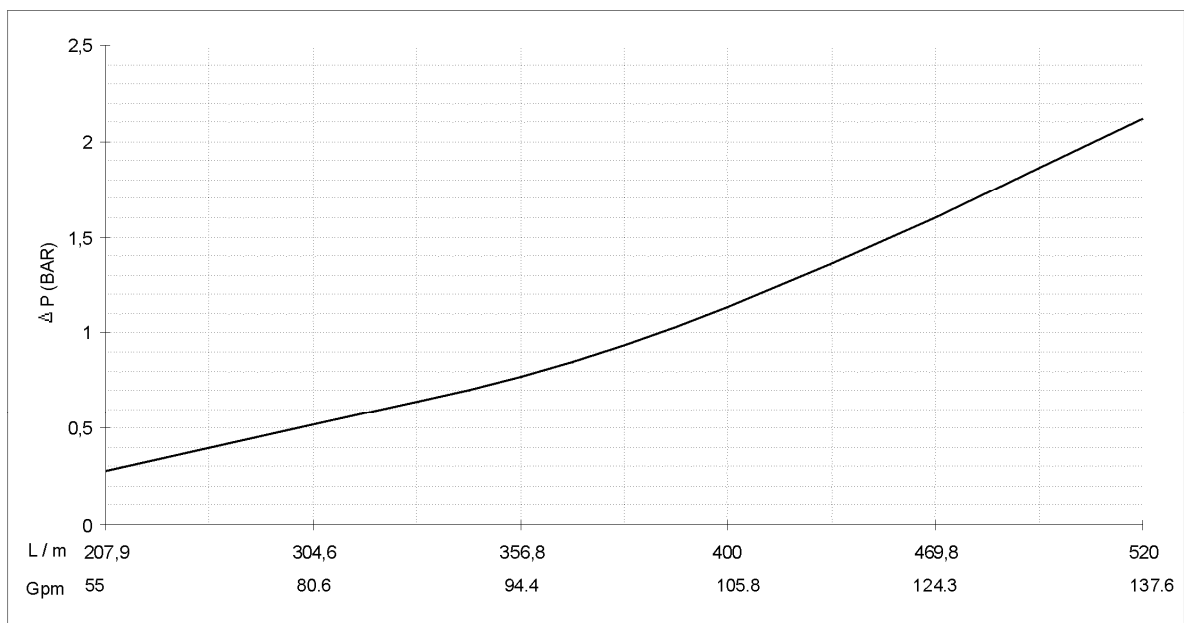
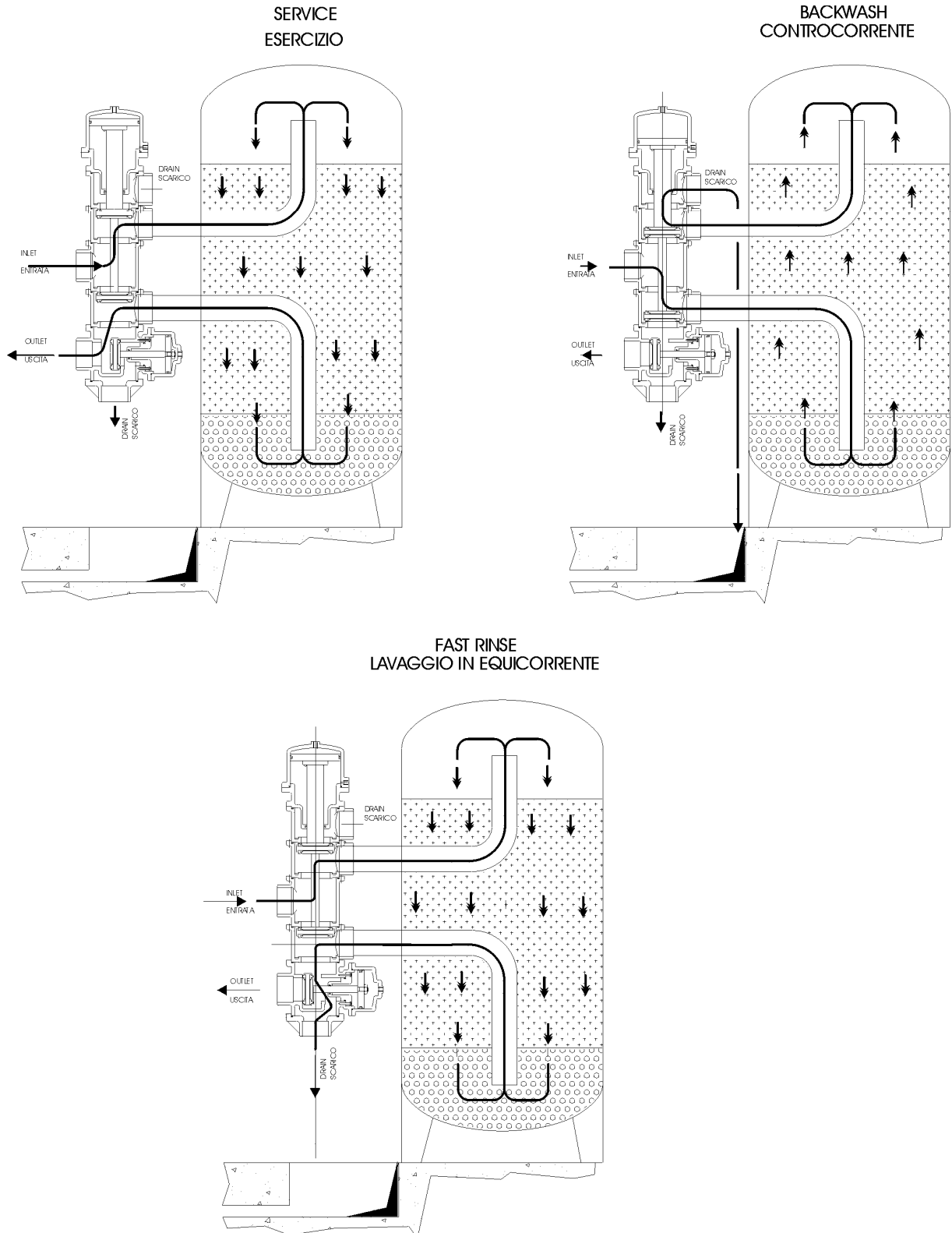


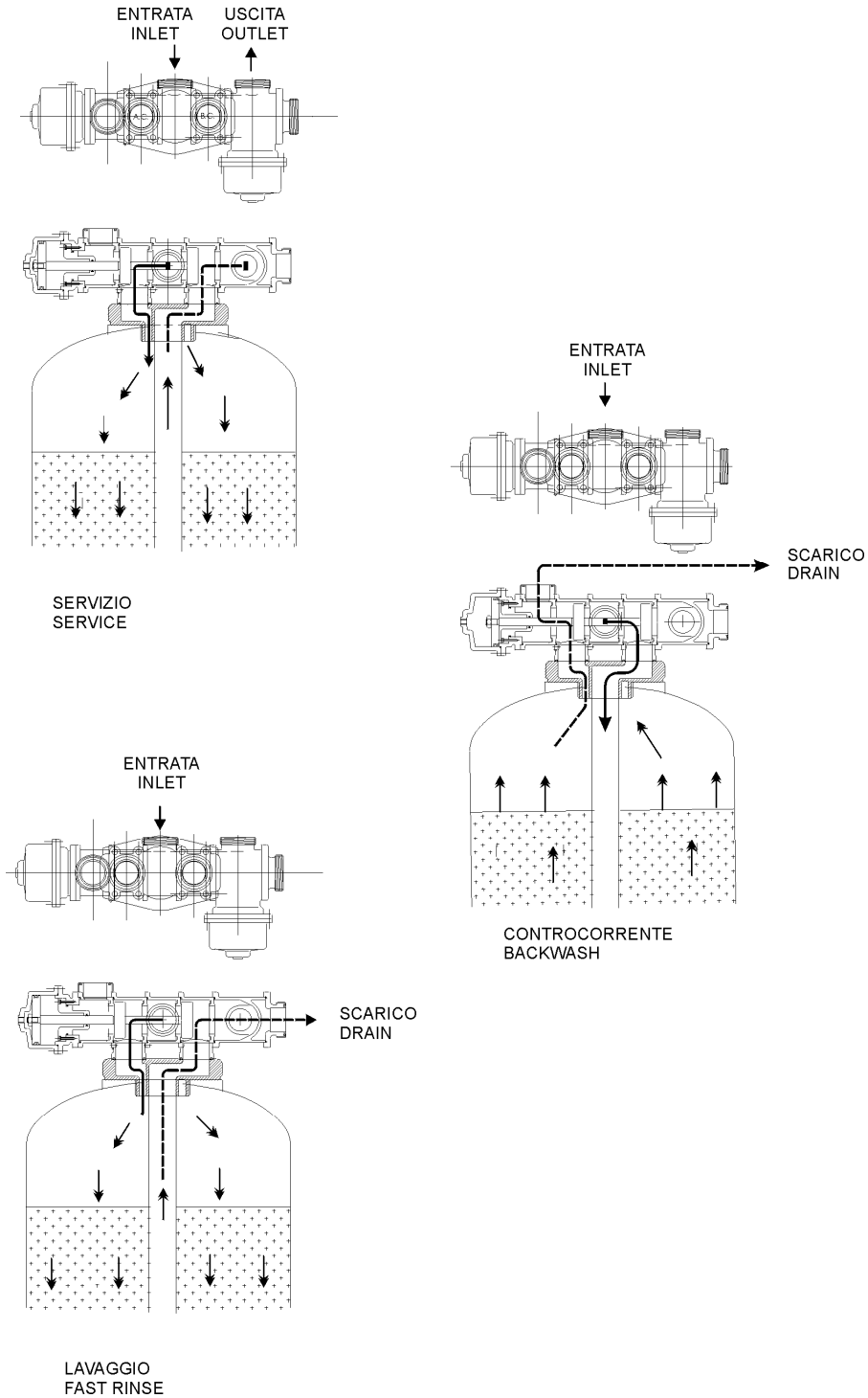
GRAFICO PORTATE



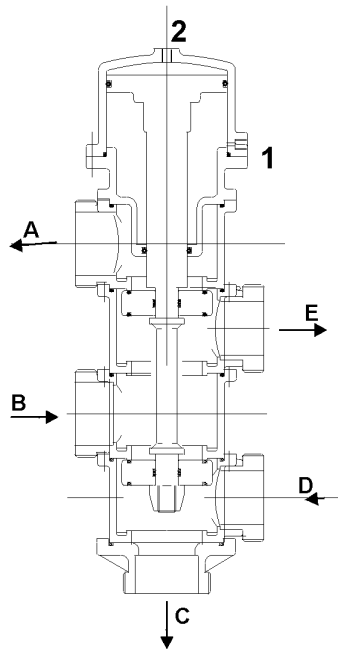
V350F-FE/05, V363F/05 & V363F-FE/05 VALVE FLOW RATES DIAGRAM



V351F-FE/05 VALVE FLOW RATES DIAGRAM



V363F-BWFE /05 & V350F-BWFE /05 VALVE TECHNICAL DATA CHARACTERISTICS



A = Counter-Current water drain
 B = Inlet water to be filtered
 C = Filtered water Outlet.
 D = Bottom column connection.
 E = High column connection.

ABS Valve reinforced with glass fibre

- Delivery service pressure
- Temperature Use
- Connections:

Max. 6 Bar
 Min. 5°C Max. 40°C

V350F-BWFE /05

- Delivery service rate

Threaded F 2" 1/4 for 2-piece connection
 F 1" 1/2 Gas or F 1" 1/2 NPT

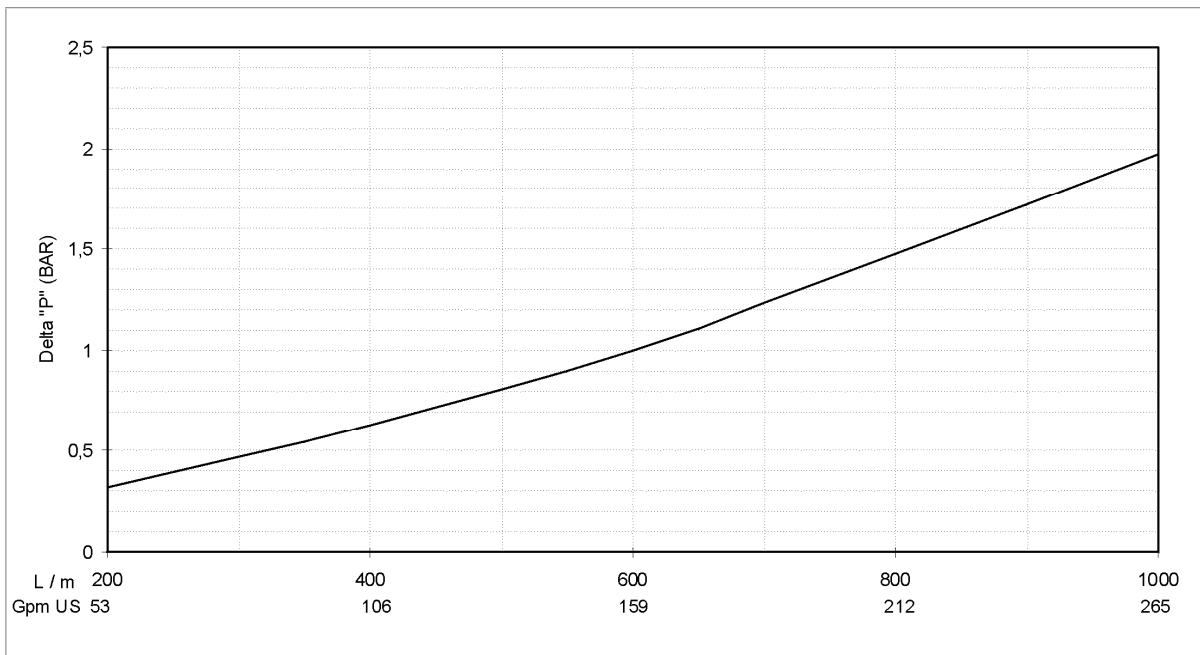
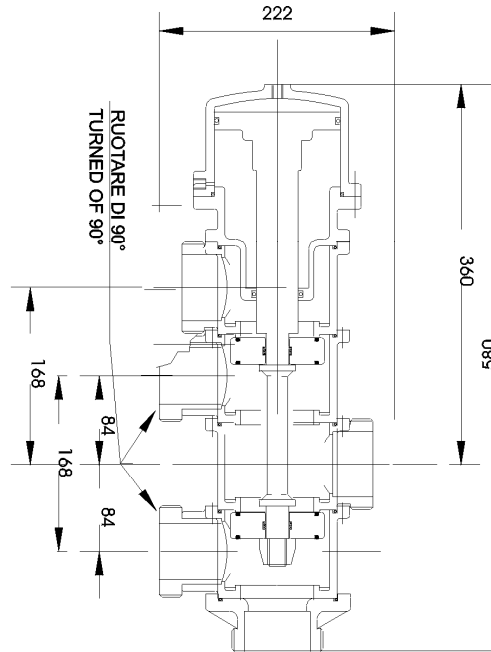
V363F-BWFE /05

- Delivery Service Rate
- Electronic Timer Controller
 Electric Power

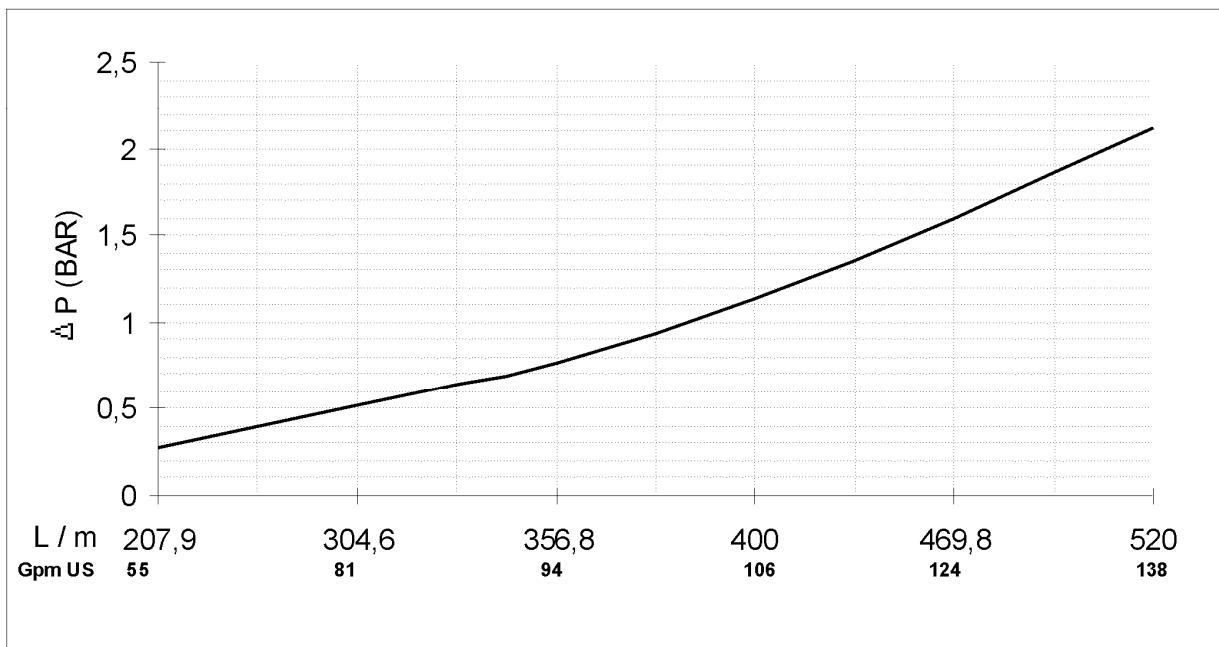
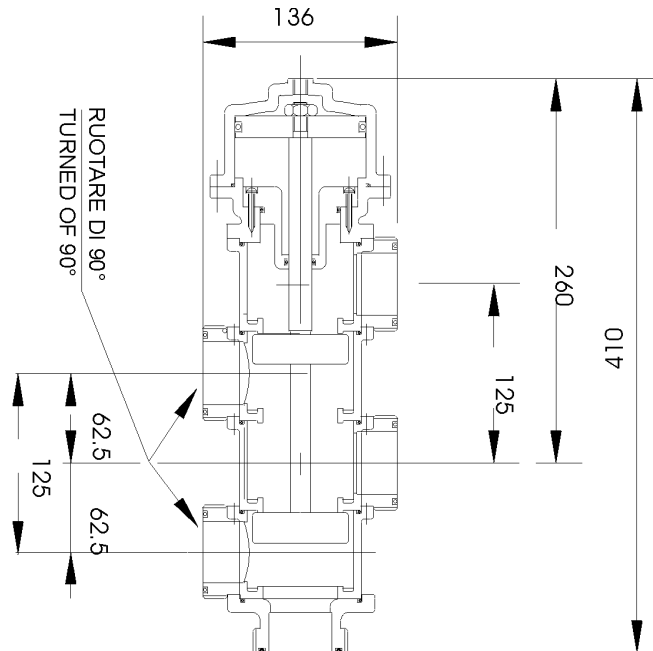
Threaded F 2" 3/4 for 2-piece connection
 F 2" Gas or F 2" NPT
 Refer to PAGE 26

S.I.A.T.A. Controller 2 piloti
 230 V. 50/60 Hz ure 115 V 60 Hz

**V363F-BWFE /05 VALVE
DIMENSIONS AND FLOW RATES DIAGRAM**

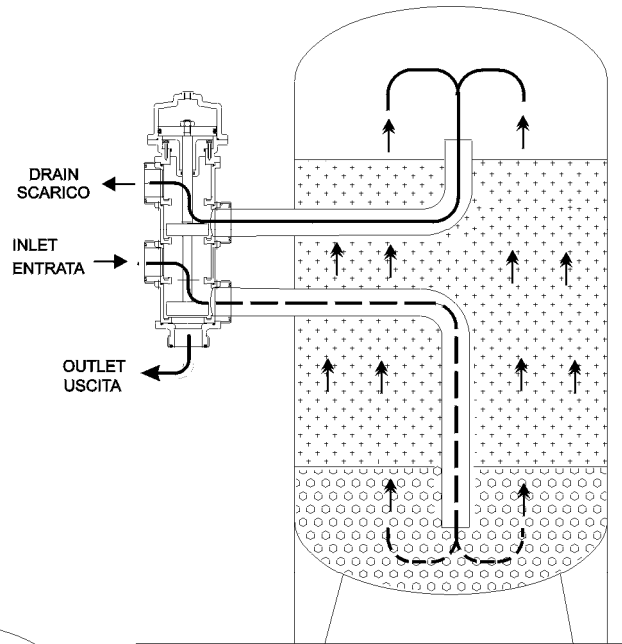


V350F-BWFE /05 VALVE DIMENSIONS AND FLOW RATES DIAGRAM

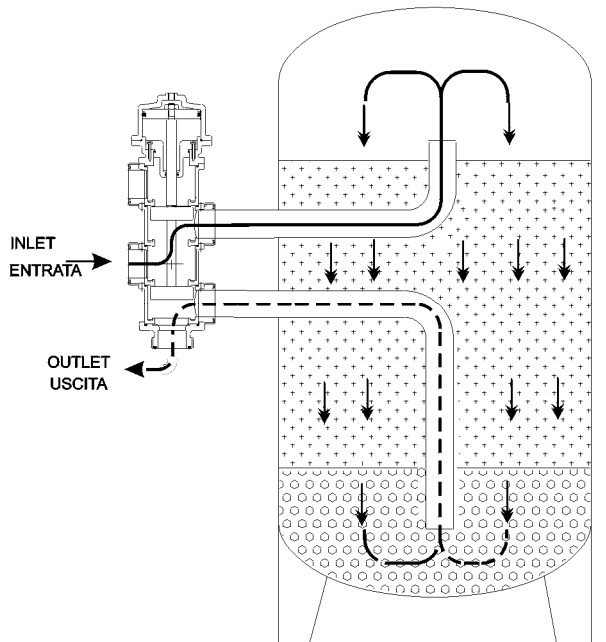


V350F-BWFE/05& V363F-BWFE/05 VALVE FLOW RATES DIAGRAM

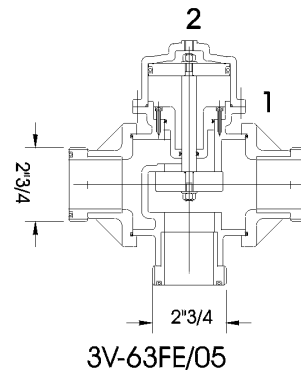
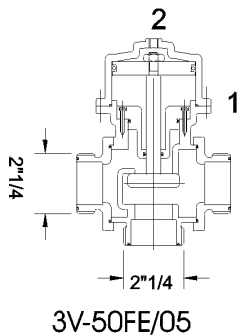
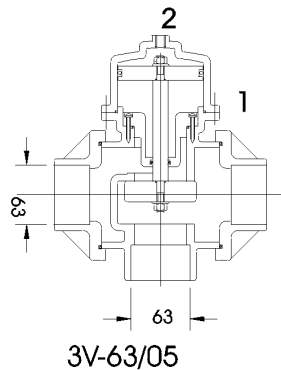
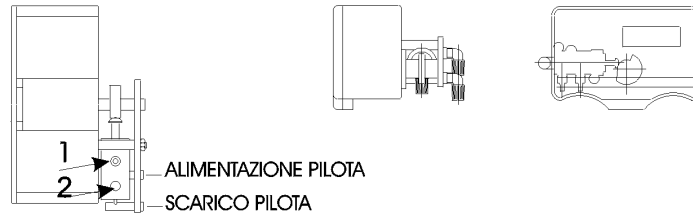
BACKWASH
CONTROCORRENTE



SERVICE
ESERCIZIO



V363F-BWFE /05 & V350F-BWFE /05 VALVE TECHNICAL DATA CHARACTERISTICS



ABS Valve reinforced with glass fibre

- Delivery Service Pressure
- Temperature USE
- Connections:

3V-50FE /05

3V-63 /05

3V-63FE /05

- **3V-63/05** Delivery Service rate
- **3V-63FE /05**
- Delivery Service rate **3V-50FE /05**
- Electronic Timer Controller
- Electric Power

Min. 1 Bar Max. 6 Bar

Min. 5°C Max. 40°C

Threaded F 2" 1/4 for 2-piece connection

F 1" 1/2 Gas or F 1" 1/2 NPT

F ISO 63 FOR WELDING.

Filetto F 2" 3/4 for 2-piece connection

F 2" Gas or F 2" NPT

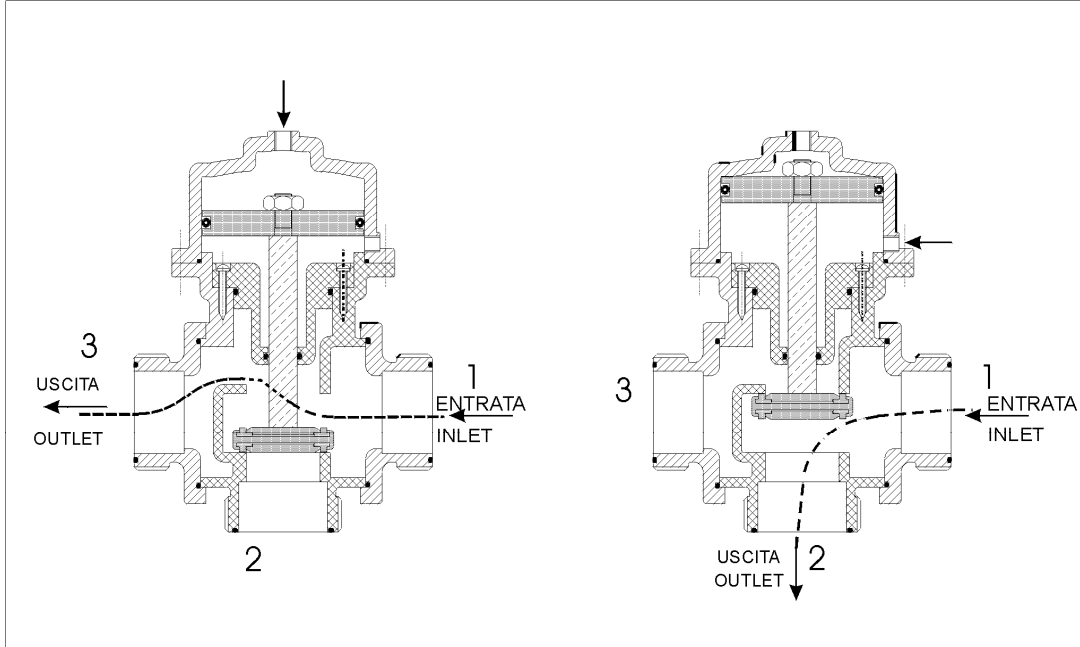
Refer to PAGE 26

S.I.A.T.A. 2-pilot Controller

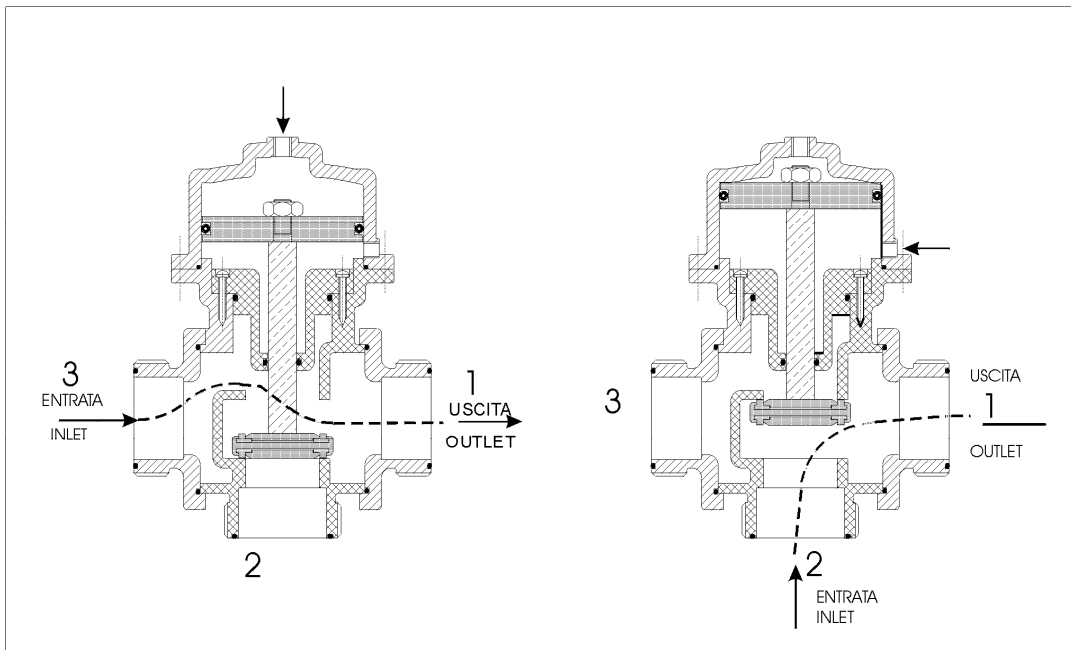
230 V. 50/60 Hz or 115 V 60 Hz

3-way VALVE OPERATING MODE

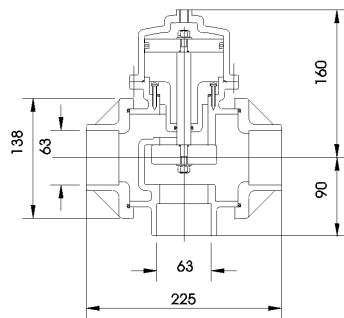
FLOW RATE DEVIATION FLOWING INTO TWO OUTLETS



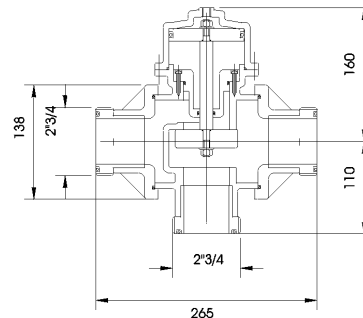
TWO FLOW RATES DEVIATIONS FLOWING INTO ONE OUTLET



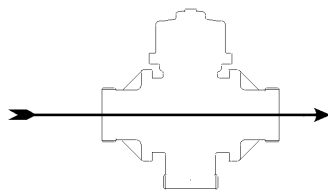
3V-63 /05 & 3V-63FE /05 VALVE DIMENSIONS AND FLOW RATES



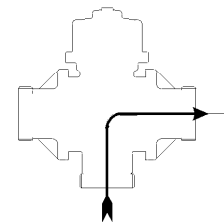
3V-63/05



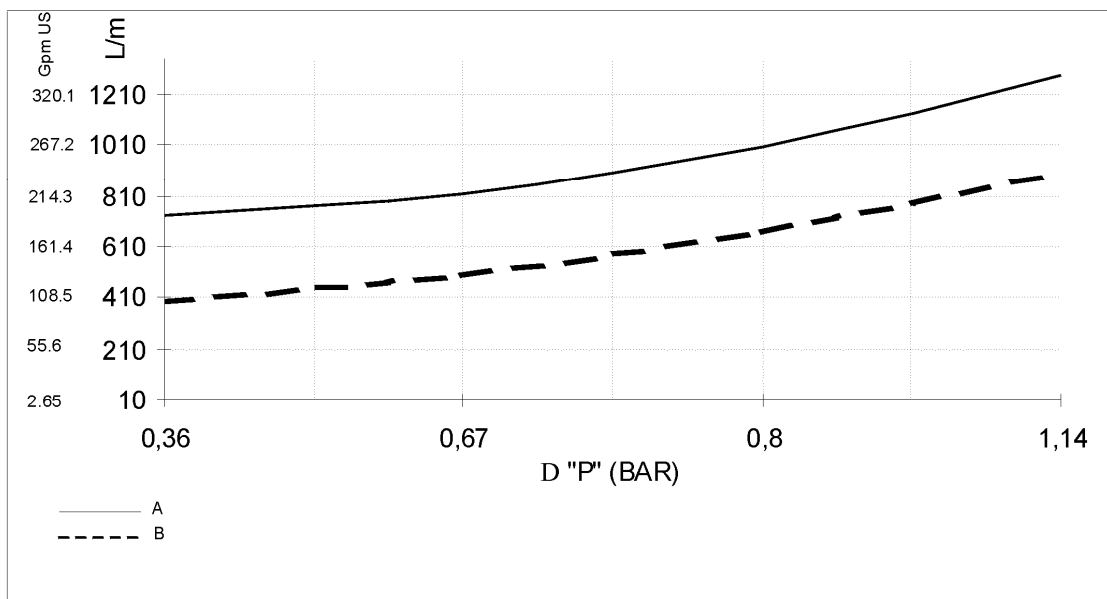
3V-63FE/05



DEVIATION
DEVIAZIONE

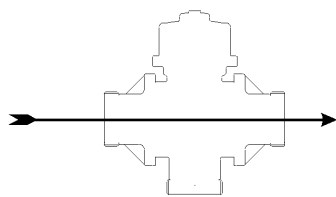
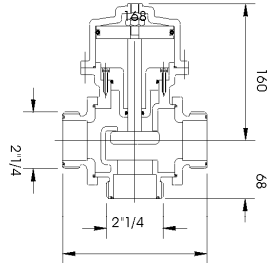


SERVICE
SERVIZIO

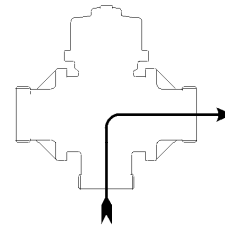


A = SERVIZIO ; B = DEVIAZIONE

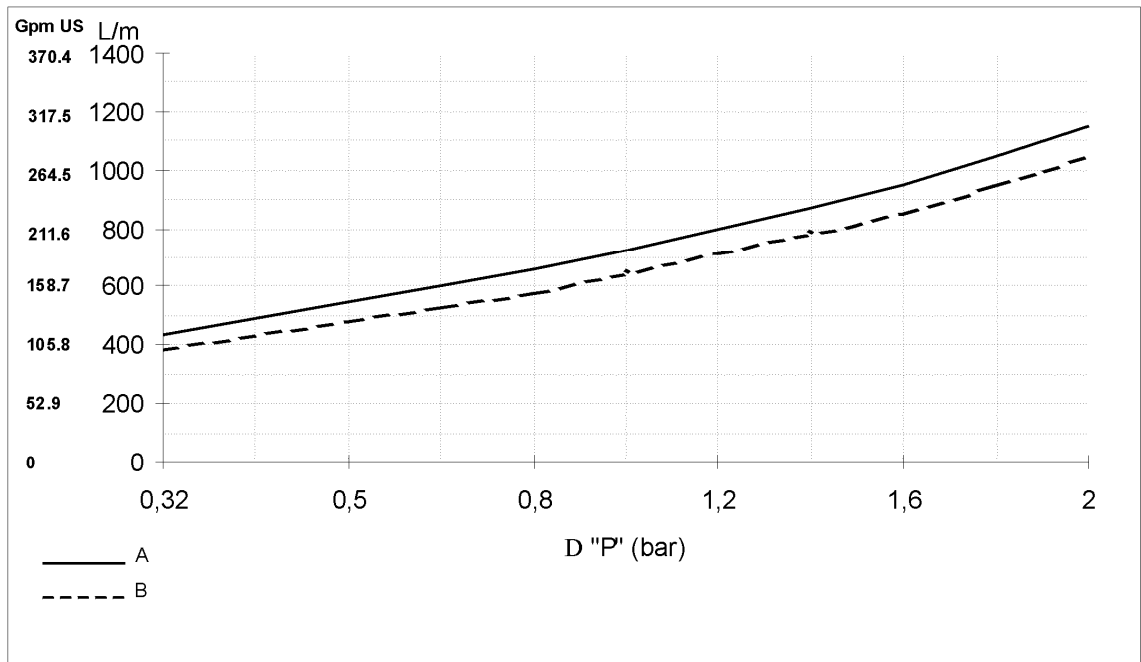
PORTATE E DIMENSIONI 3V-50FE /05



DEVIATION
DEVIATORE



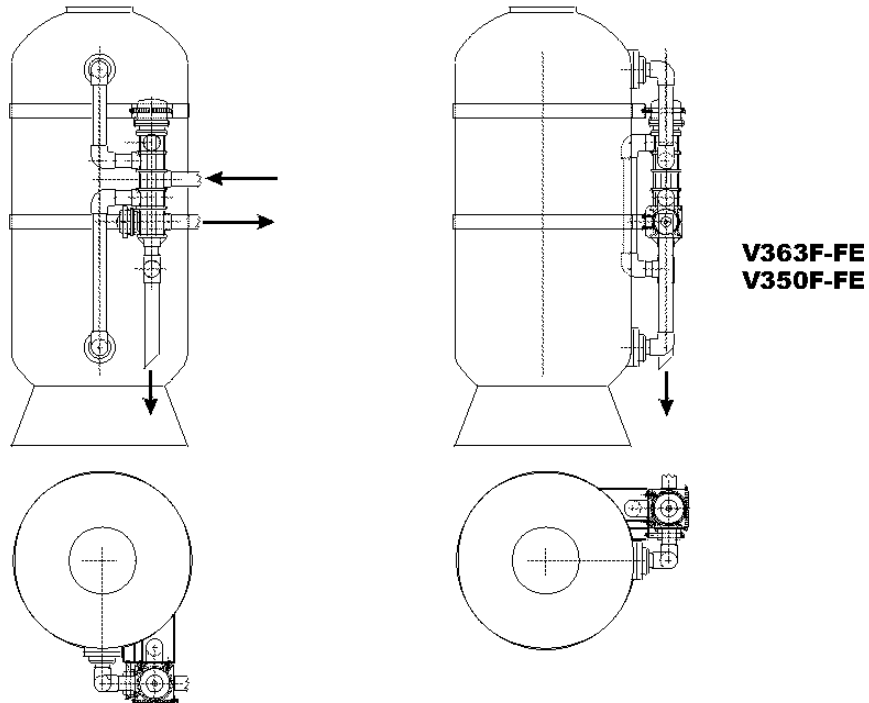
SERVICE
SERVIZIO



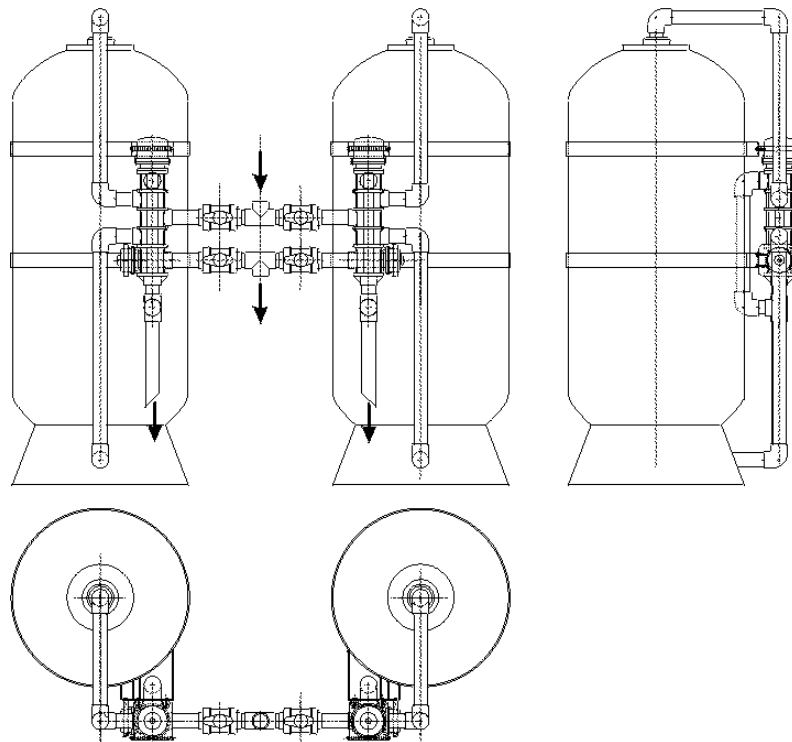
A = SERVICE ; B = DEVIATION

VERTICAL VALVE INSTALLATION MODES EXAMPLES

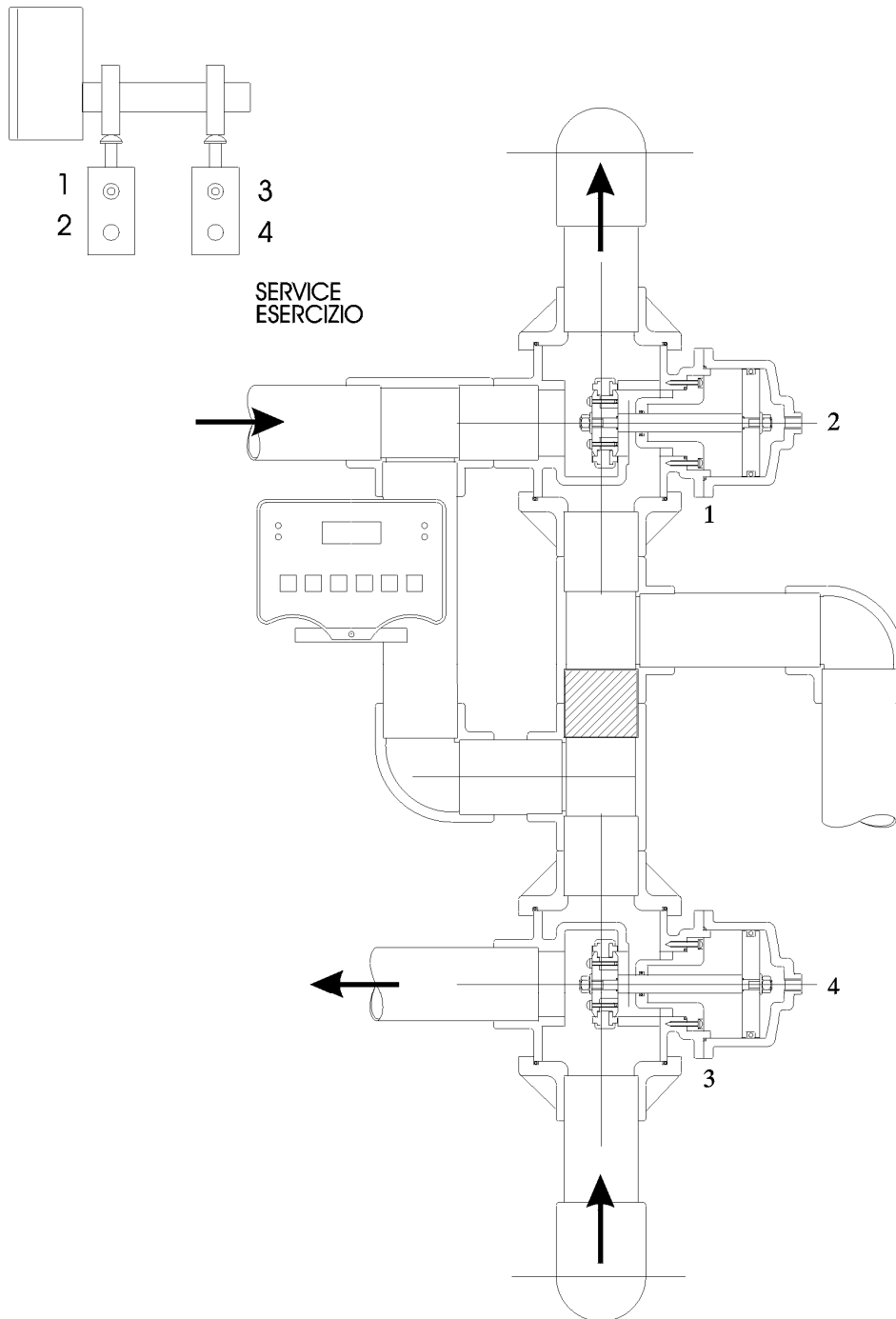
SINGOLO / SIMPLEX



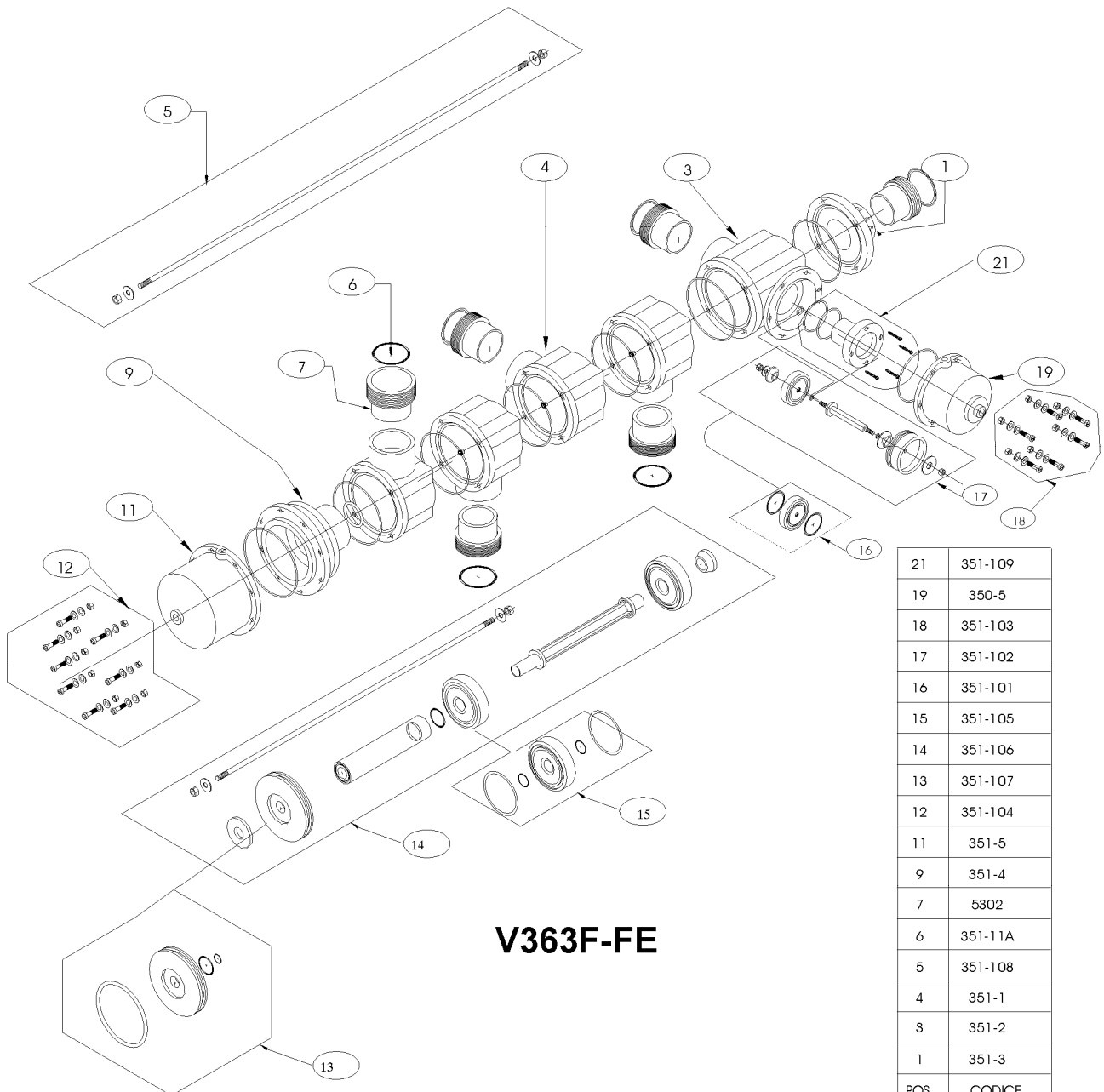
DUPLEX



3-WAY VALVE INSTALLATION MODES EXAMPLES



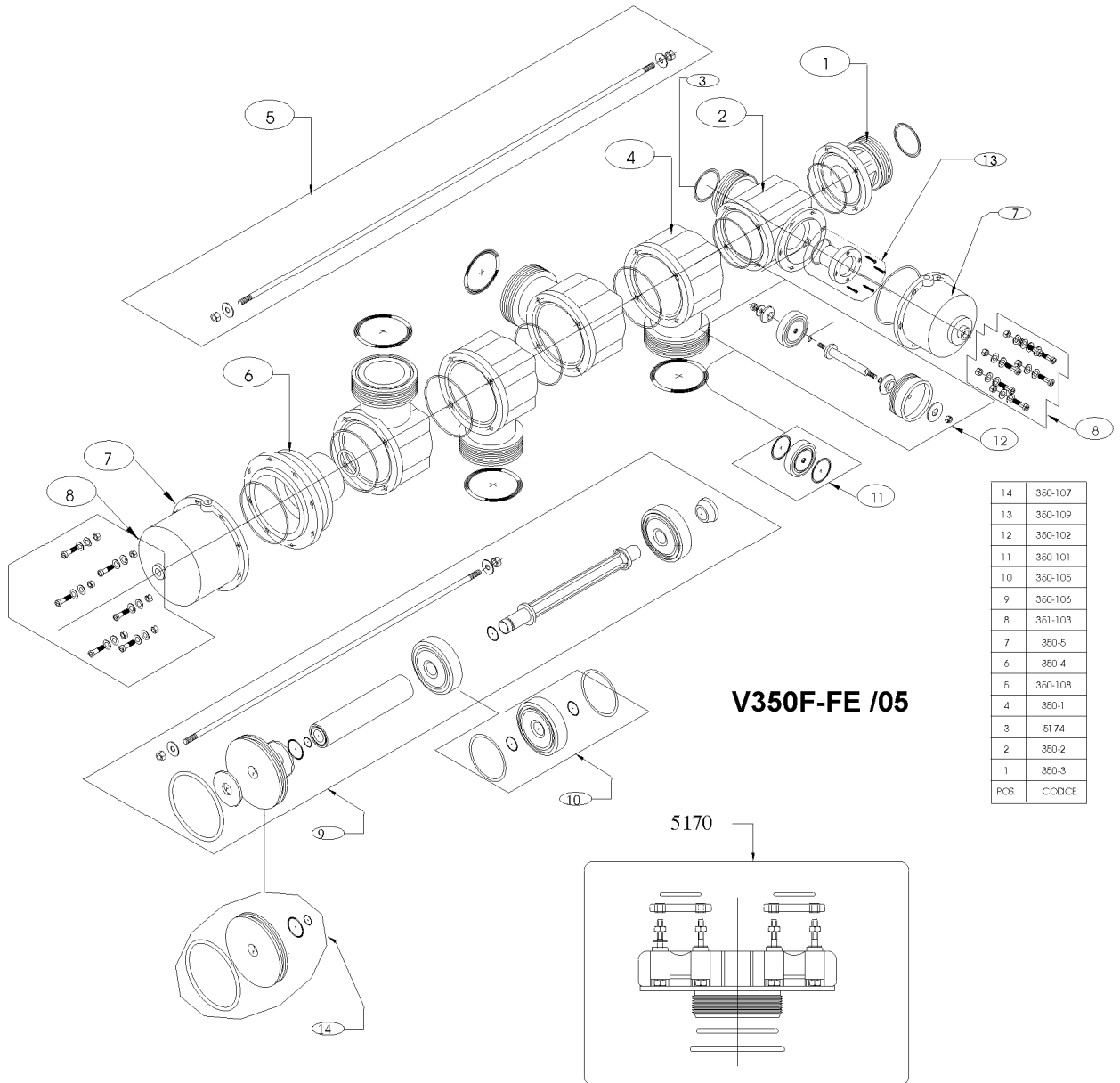
V363F-FE /05 VALVE SPARE PARTS



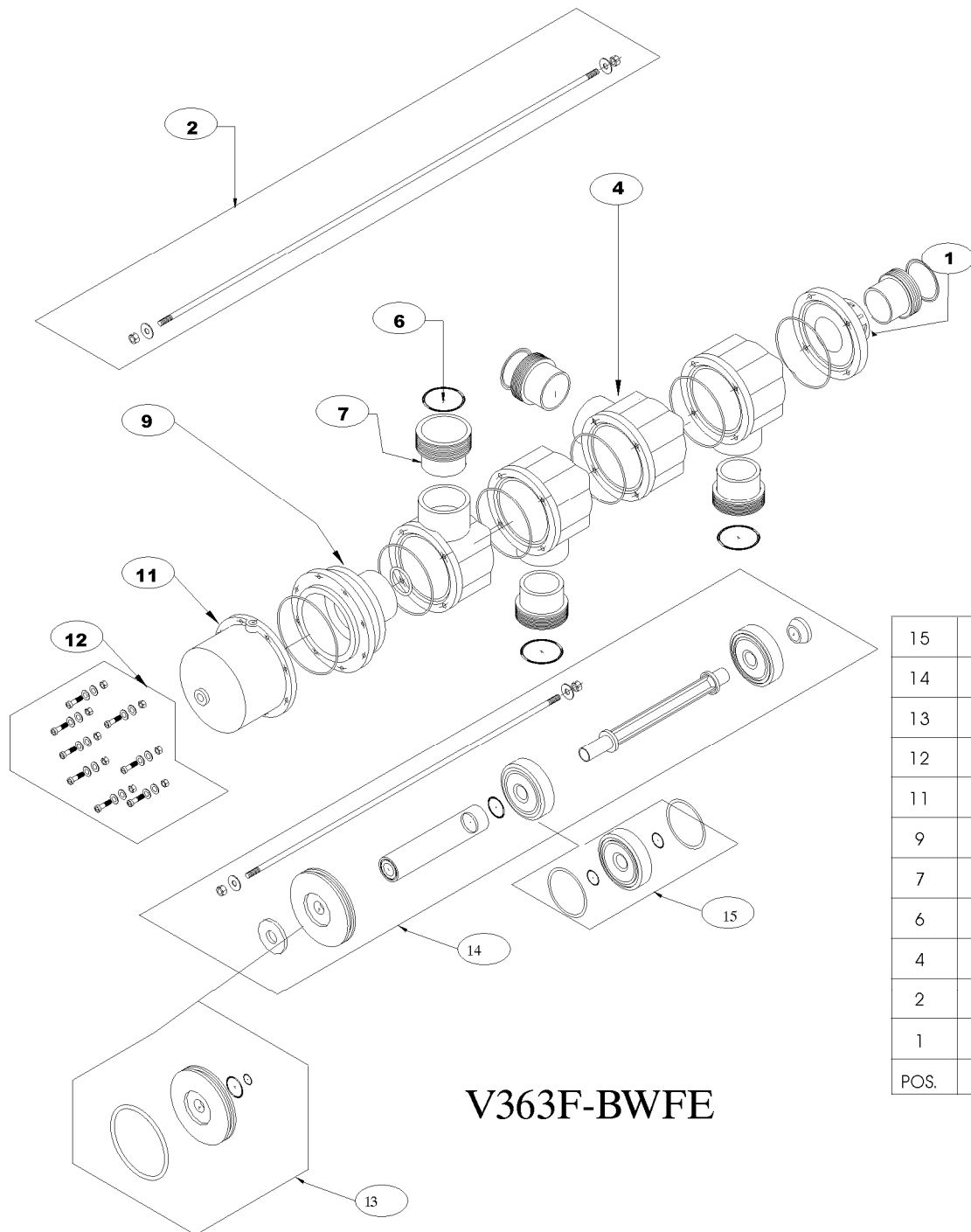
To assemble a V363F /05 it is sufficient the exclusion of position 6 e 7

V350F-FE /05 & V351F-FE /05 VALVE SPARE PARTS

To assemble a V351F /05 valve it is sufficient to add code 5170



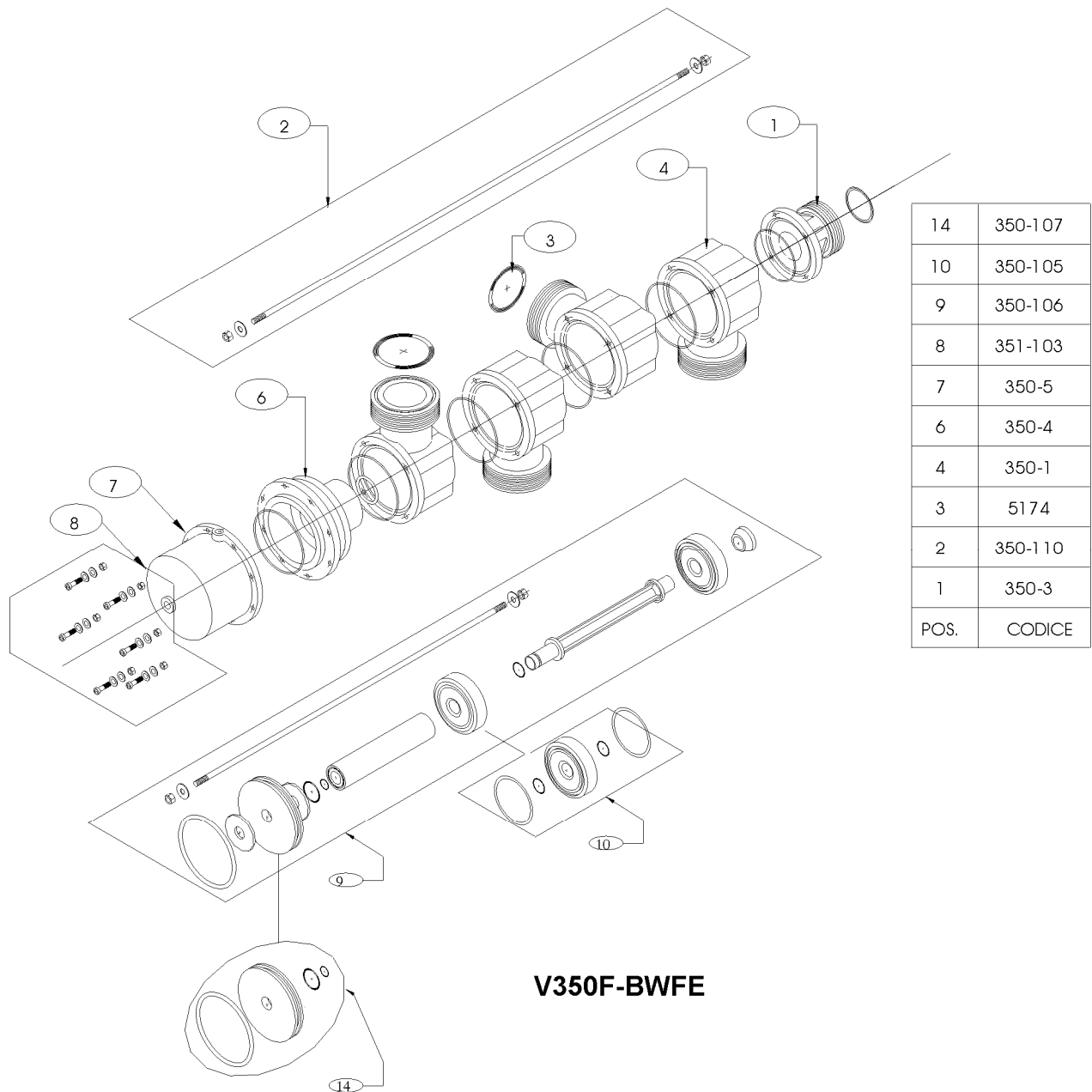
V363F-BWFE /05 VALVE SPARE PARTS



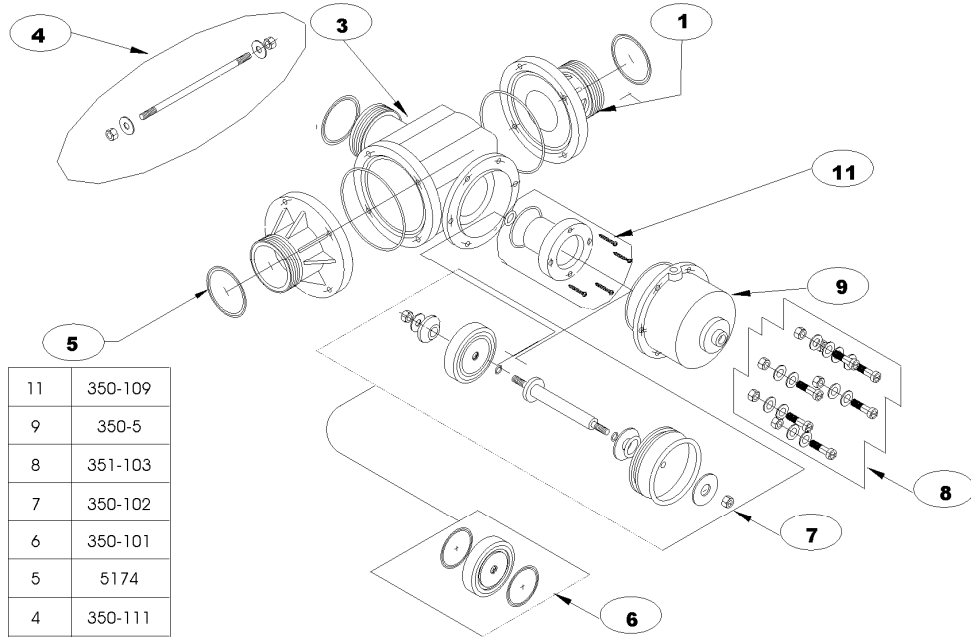
15	351-105
14	351-106
13	351-107
12	351-104
11	351-5
9	351-4
7	5302
6	351-11A
4	351-1
2	351-110
1	351-3
POS.	CODICE

V363F-BWFE

V350F-BWFE /05 VALVE SPARE PARTS

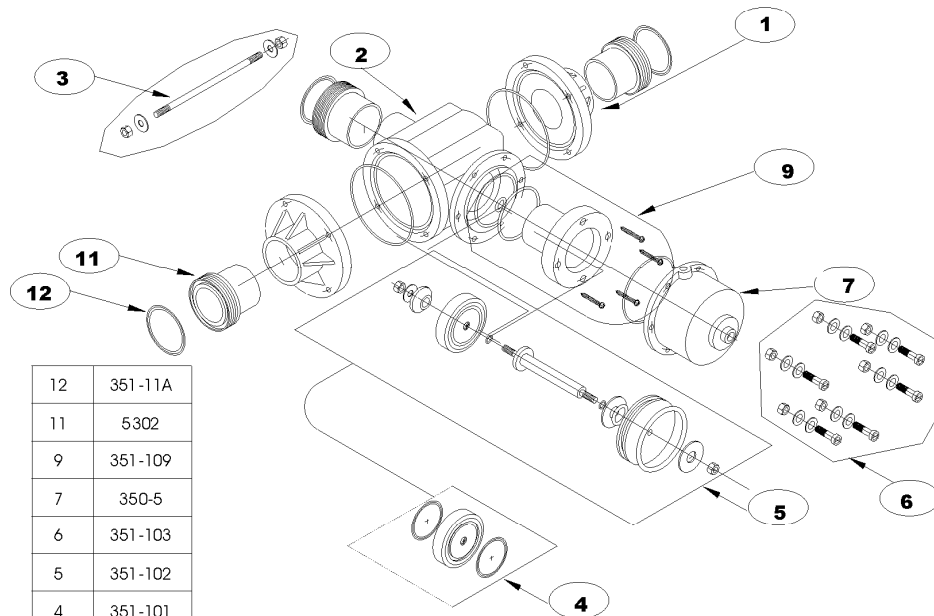


3V-50FE /05, 3V-63FE /05 & 3V-63 /05 VALVE SPARE KITS.



11	350-109
9	350-5
8	351-103
7	350-102
6	350-101
5	5174
4	350-111
3	350-2A
1	350-3
POS.	CODICE

3V-50FE



12	351-11A
11	5302
9	351-109
7	350-5
6	351-103
5	351-102
4	351-101
3	351-111
2	351-2A
1	351-3
POS.	CODICE

3V-63FE

To assemble a 3V-63 /05 it is sufficient the exclusion of position 11 and 12

ACCESSORIES AND SPARES

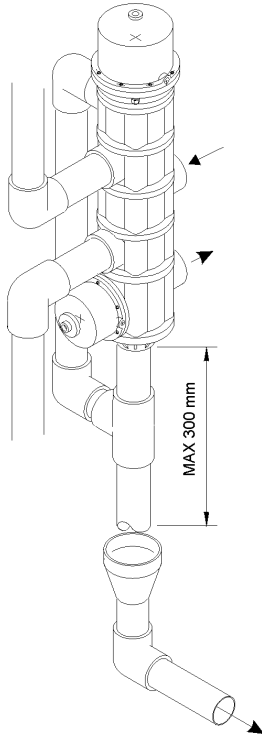
O-RING

<input type="checkbox"/>	KIT O-RING COMPLETE FOR V363F	COD. 351-100
<input type="checkbox"/>	KIT O-RING COMPLETE FOR V350F	COD. 350-100
<input type="checkbox"/>	KIT O-RING COMPLETE FOR V363F-BWFE	COD. 351-300
<input type="checkbox"/>	KIT O-RING COMPLETE FOR V350F-BWFE	COD. 350-300
<input type="checkbox"/>	KIT O-RING COMPLETE FOR 3V-63FE	COD. 351-200
<input type="checkbox"/>	KIT O-RING COMPLETE FOR 3V-50FE	COD. 350-200

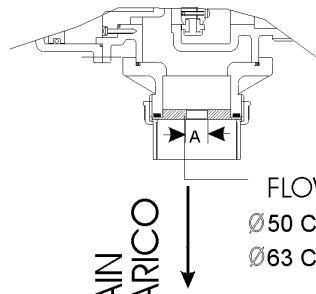
SIATA AVAILABLE KIT CONNECTIONS FOR SIATA 300 PROFILTER VALVE

<input type="checkbox"/>	2" ¾ PVC - 2" Gas CONNECTION KIT.	COD. 494-R
<input type="checkbox"/>	2 ¾ PVC - 2" NPT CONNECTION KIT.	COD. 494-U
<input type="checkbox"/>	2" ¼ PVC - 1" ½ Gas CONNECTION KIT	COD. 494-H
<input type="checkbox"/>	2" ¼ PVC - 1" ½ NPT CONNECTION KIT	COD. 494-V
<input type="checkbox"/>	2" ¼ BRASS - 1" ½ Gas CONNECTION KIT.	COD. 494-P
<input type="checkbox"/>	2" ¼ BRASS - 2" Gas CONNECTION KIT.	COD. 494-G

TIPS AND SUGGESTIONS



To avoid valve vibratio during the operation, we suggest to interrupt the conduction drain as shows in the pictures



FLOW CONTROL

- Ø50 COD. 352-*
- Ø63 COD. 353-*

For a good valve operation we suggest to regulate the drain flow, in function of flow rate and inlet pressure, by using the flow control code 352-* e 353-*

In case of low pressure during the wash we suggest to feed the idraulic distributor with a separate line of air or water to get more information on ØA calibration flow. Please contact SIATA.